

## Storage, Installation, and Maintenance of Sauna Mouldings

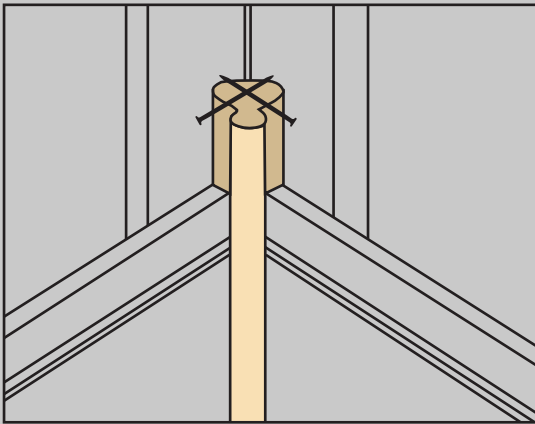
### 1. Storage

The mouldings are profiled and covered with film at the Standwood warehouse. The product should be stored in unopened packages, preferably in the same room where they will be installed. During storage, abrupt changes in humidity and temperature should be avoided. The best storage method is elevated above the floor surface on sufficiently closely installed base mouldings to prevent bending.

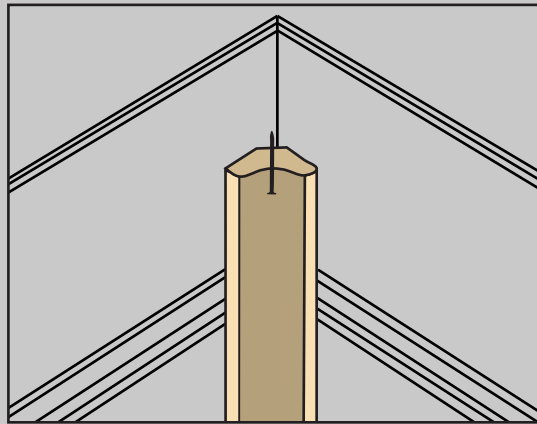
### 2. Installation

When installing sauna mouldings, it is essential to ensure that the room has adequate ventilation and heating, maintaining a consistent level of humidity and temperature. Material reserves should account for cutting waste. When beginning installation, it is advisable to open several packages at once to better match the materials. Sauna mouldings should be installed using stainless steel nails, ensuring that the nails are of the correct length and do not penetrate through the underlying support.

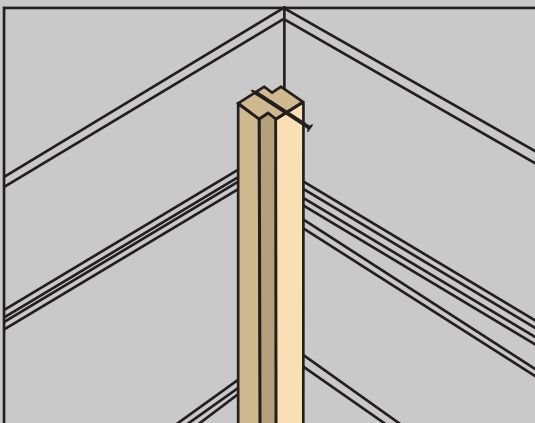
#### 2.1 Inside Corner Mouldings



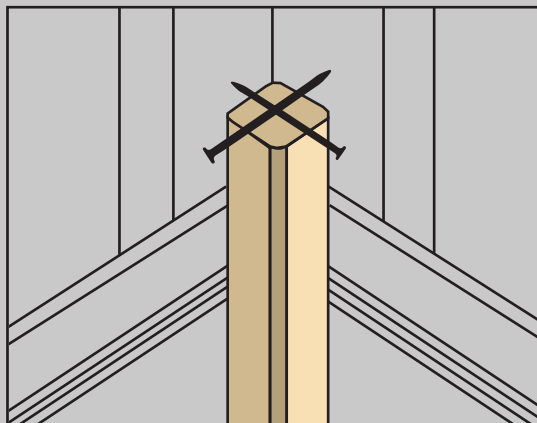
SI 25x25



SI 14x30

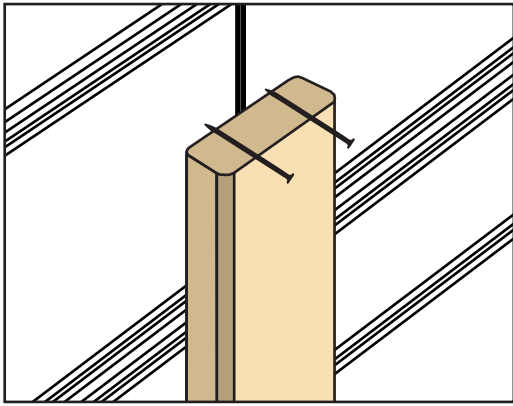


SI 15x18



SHP 21x21

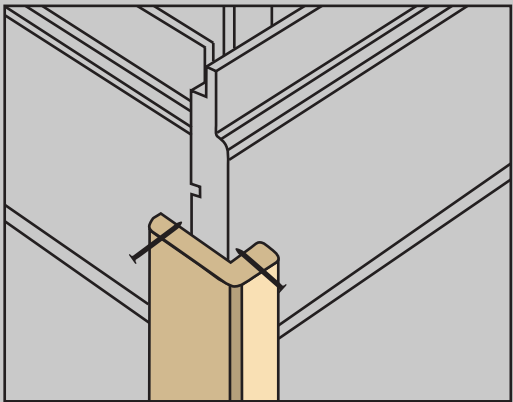
## 2.2 Cover Moldings



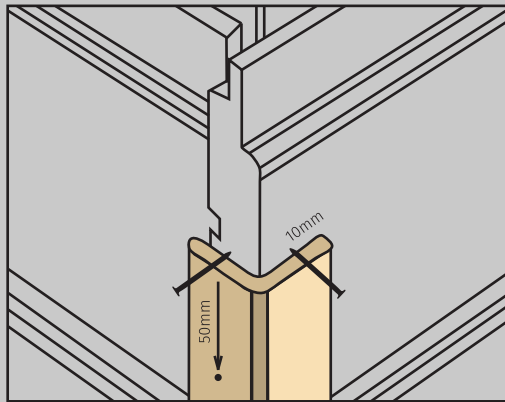
KA 12x42

## 2.3 Outside Corner Moldings

When fastening cover moldings, the nail should be placed at least 10 mm from the edge of the molding and 50 mm from the top/end of the molding.



VÄ 21x42/28x42



VÄ 28x28

## 3. Usage and Maintenance

Wood is a natural material, and its beauty in a sauna can only be maintained through regular maintenance. Depending on the type of wood used and the intensity of use, the wood may crack or warp. The wooden parts of the sauna must be treated with a sauna agent before the sauna is put into use. Instructions for treatment and use can be found on the product's packaging.

When cleaning wooden surfaces in the sauna, it is not recommended to use running water or a pressure washer. Do not overheat the sauna—excessively high temperatures can damage the wooden surfaces.

At least once a year, the sauna should be cleaned with a cleaning agent and the wooden surfaces should be covered with a new layer of surface treatment product. In saunas with intensive use (e.g., in water parks, spas), regular maintenance should be carried out more frequently.